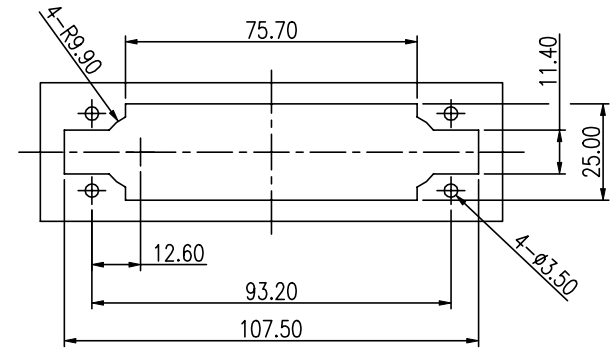
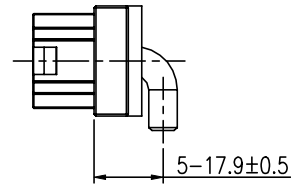
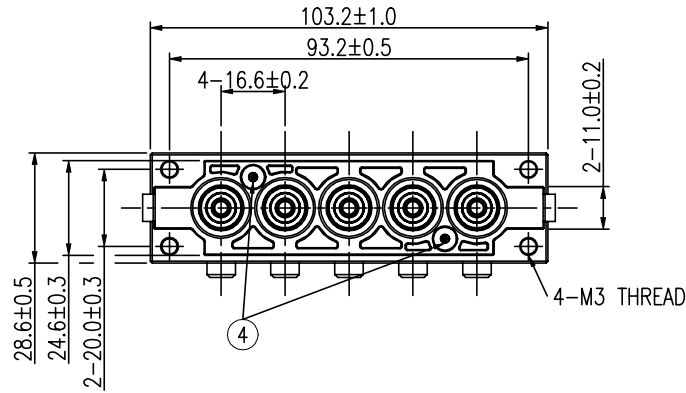
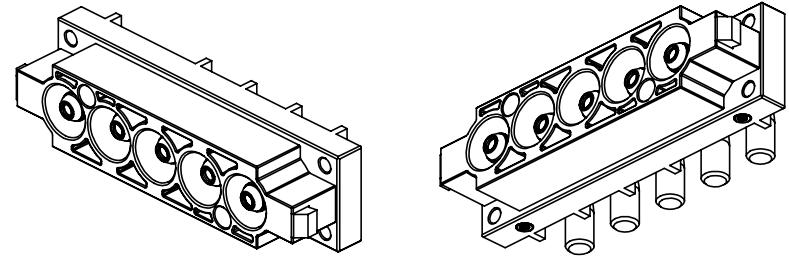
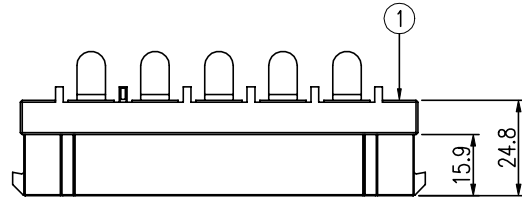


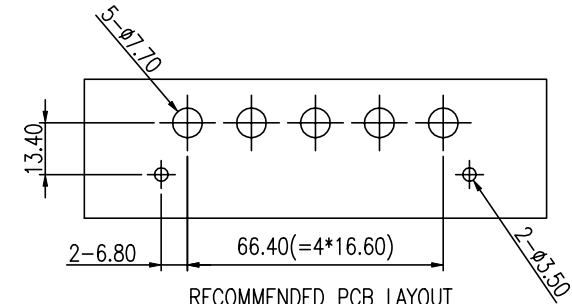
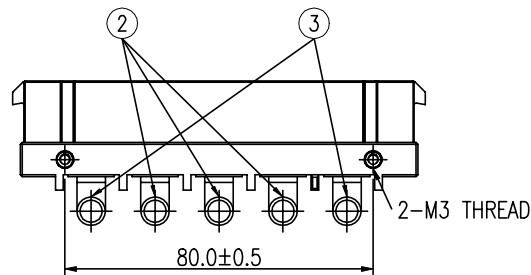
THIS DRAWING AND THE DATA DISCLOSED HEREIN OR HEREWITH IS NOT TO BE REPRODUCED USED OR DISCLOSED IN WHOLE OR IN PART TO ANYONE WITHOUT THE PERMISSION OF JESS-LINK PRODUCTS CO.,LTD.(JPC)

CUSTOMER DRAWING
DRWC-XXXXXX

REV.	ECN NO.	DESCRIPTION	MDF'D	APP'D	DATE
01		INITIAL DESIGN	Bovan Lu	Max Yang	04/09/2026
02					
03					



RECOMMENDED PANEL CUT-OUT
(GENERAL TOLERANCE: ±0.05)



RECOMMENDED PCB LAYOUT
(GENERAL TOLERANCE: ±0.05)

8	TBD	TBD	TERMINAL	2 PCS
7	TBD	TBD	CONNECTOR, 2P	1 PCS
6	-	-	SIGNAL WIRE, 24AWG, BLACK, L=60mm	1 PCS
5	-	-	SIGNAL WIRE, 24AWG, RED, L=60mm	1 PCS
4	-	-	SIGNAL PIN	2 PCS
3	-	-	PE PIN, SOLDER TYPE, RIGHT ANGLE	2 PCS
2	-	-	POWER PIN, SOLDER TYPE, RIGHT ANGLE	3 PCS
1	-	-	100AMP RECEPTACLE CONNECTOR	1 PCS
ITEM	SUPL	SUPL PN	DESCRIPTION	Q'TY

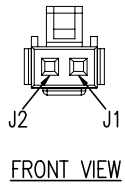
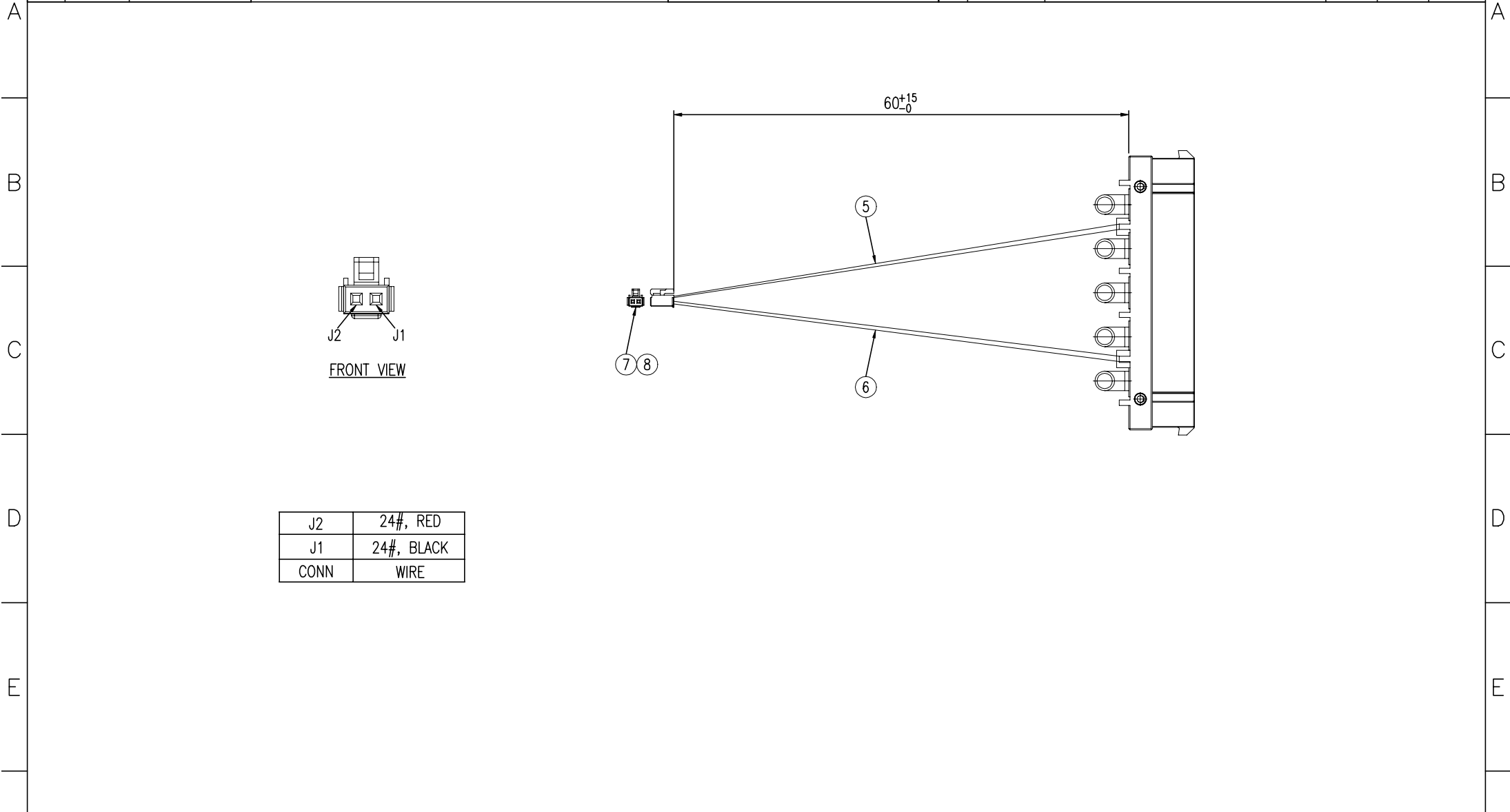
RoHS COMPLIANT

HALOGEN FREE

Unit:mm(inch)	PROJECTION
GENERAL TOLERANCES: (UNLESS SPECIFIED)	
0 ±1 (0.039)	D.R. 04/09/2026
0.0 ±±.5 (0.02)	Bovan Lu
0.00 ±±.3 (0.012)	CH.K 04/09/2026
0.000 ±±.15 (0.006)	Daniel Chen
0° ±± 2°	APV.D 04/09/2026
0.0° ±± 1°	Max Yang

JPC connectivity			PD./FILE NO. XXXXXXXXXX
TITLE	100AMP AC INLET CONNECTOR SOLDER TYPE, RIGHT ANGLE		X-XXXX
SCALE	SIZE	PART NO.	REV. 01
1:1	A4	ORV3-05RAAN-AAAA	SHEET 1 OF 2

1	2		3	4	5	6	7	8			
THIS DRAWING AND THE DATA DISCLOSED HEREIN OR HEREWITH IS NOT TO BE REPRODUCED USED OR DISCLOSED IN WHOLE OR IN PART TO ANYONE WITHOUT THE PERMISSION OF JESS-LINK PRODUCTS CO.,LTD.(JPC)				CUSTOMER DRAWING DRWC-XXXXXX		REV.	ECN NO.	DESCRIPTION	MDF'D	APP'D	DATE
						01		INITIAL DESIGN	Bovan Lu	Max Yang	04/09/2026
						02					
						03					



J2	24#, RED
J1	24#, BLACK
CONN	WIRE

8	TBD	TBD	TERMINAL	2 PCS	RoHS COMPLIANT HALOGEN FREE	Unit:mm(inch) GENERAL TOLERANCES: (UNLESS SPECIFIED) 0 =±1 (0.039) 0.0 =±.5 (0.02) 0.00 =±.3 (0.012) 0.000 =±.15(0.006) 0° =± 2° 0.0° =± 1°	PROJECTION 	JPC connectivity		D.R. 04/09/2026 Bovan Lu CH.K 04/09/2026 Daniel Chen APV.D 04/09/2026 Max Yang	TITLE 100AMP AC INLET CONNECTOR SOLDER TYPE, RIGHT ANGLE		PD./FILE NO. XXXXXXXXXX
7	TBD	TBD	CONNECTOR, 2P	1 PCS							SCALE SIZE PART NO. 1:1 A4 ORV3-05RAAN-AAAA		REV. 01 SHEET 2 OF 2
6	-	-	SIGNAL WIRE, 24AWG, BLACK, L=60mm	1 PCS									
5	-	-	SIGNAL WIRE, 24AWG, RED, L=60mm	1 PCS									
4	-	-	SIGNAL PIN	2 PCS									
3	-	-	PE PIN, SOLDER TYPE, RIGHT ANGLE	2 PCS									
2	-	-	POWER PIN, SOLDER TYPE, RIGHT ANGLE	3 PCS									
1	-	-	100AMP RECEPTACLE CONNECTOR	1 PCS									
ITEM	SUPL	SUPL PN	DESCRIPTION	Q'TY									